

# UL 26 - 12

12V 26AH

STANDBY

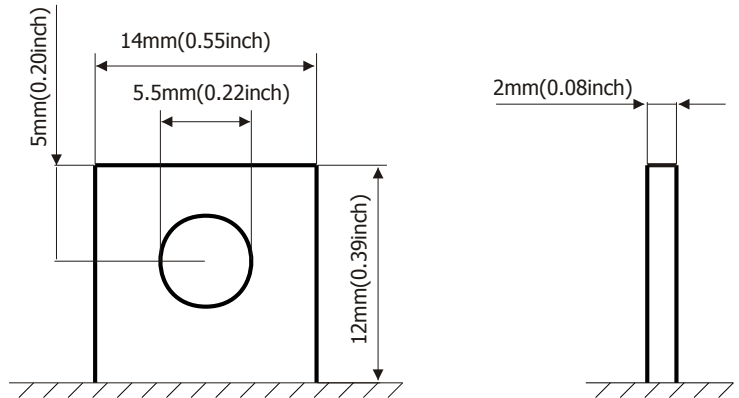
# Ultrace//<sup>®</sup>

'Quality in Every Language'

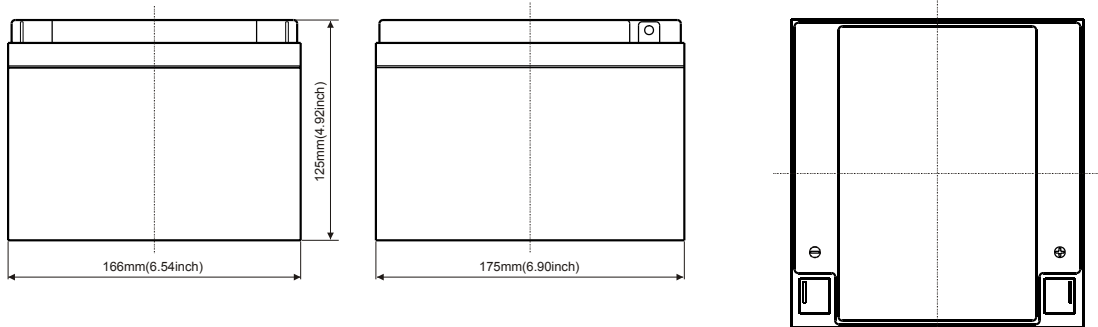
Image



Terminal Type



Dimensions



Specifications

Battery Model	UL 26 - 12			
Designed Floating Life	8 Years			
Capacity (25°C)	20HR (1.3A, 1.75V)	10HR (2.47A, 1.75V)	5HR (4.42A, 1.75V)	1HR (15.6A, 1.85V)
	26AH	24.7AH	22.1AH	15.6AH
Dimensions	Length	Width	Height	Total Height
	166mm	175mm	125mm	125mm
Approx. Weight	8.08Kg			
Internal Resistance	Fully Charged at 25°C 0.01 Ohm			
Self Discharge	3% of capacity declined per month at 25°C			
Capacity Affected by Temperature	40°C	25°C	0°C	-15°C
	102%	100%	85%	65%
Charge Voltage (25°C)	Cycle Use		Float Use	
	14.0-15.0V (-24mV/C), max. Current: 7.8A		13.6-13.8V (-18mV/C)	

Construction

Component	Raw material	Sealant	Epoxy Resin
Positive	Lead dioxide	Safety Valve	EPDR
Negative	Lead	Terminal	Copper
Container	ABS (Flame Retardant optional)	Separator	Fibre Glass
Cover	ABS (Flame Retardant optional)	Electrolyte	Sulphuric acid
<i>Sealed and maintenance free option</i>		<i>Non-spillable construction design</i>	

# UL 26 - 12

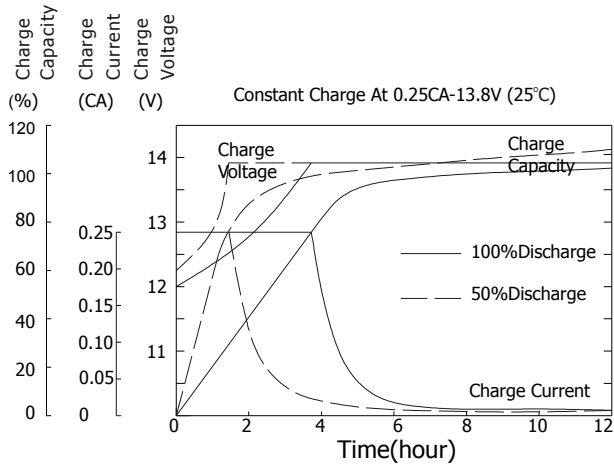
## 12V 26AH

STANDBY

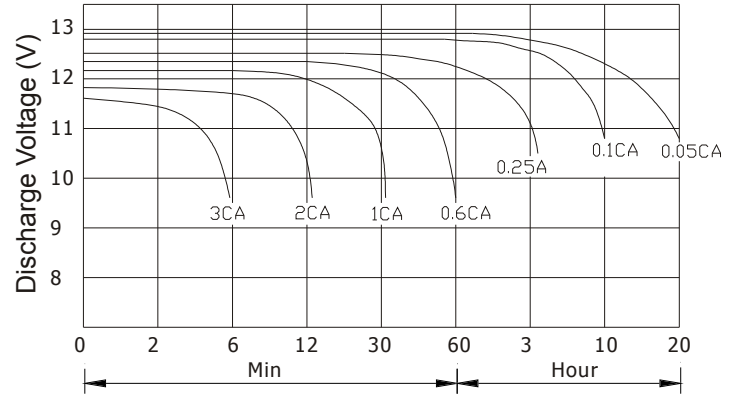
# Ultrace//<sup>®</sup>

'Quality in Every Language'

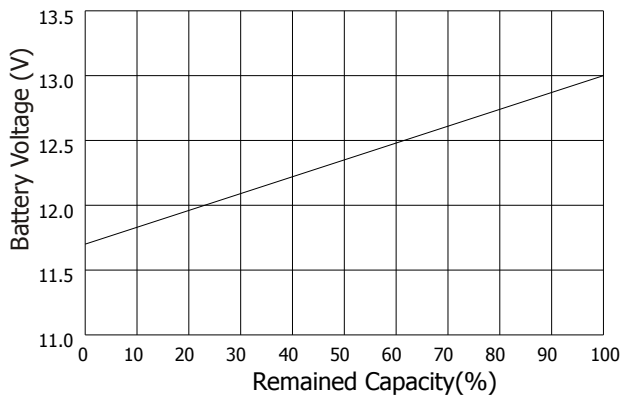
### Charge Characteristic



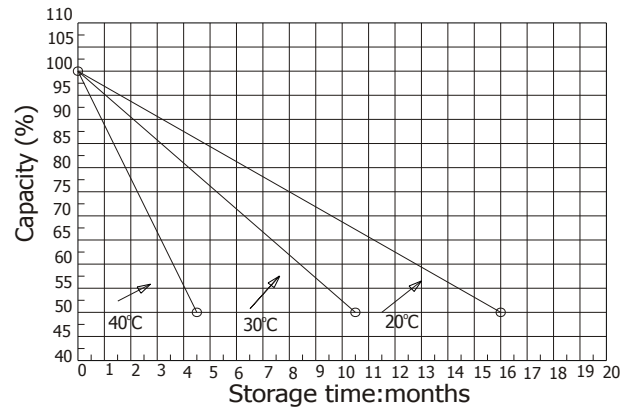
### Discharge Characteristic 25°C



### Relationship of OCV and state of charge



### Self Discharge Characteristics



### Constant Current Discharge Ratings - amperes at 25°C

F.V / Time	5 MIN	10 MIN	15 MIN	30 MIN	1 HR	3 HR	5 HR	10 HR	20 HR
1.60 V	101.4	63.0	47.7	29.1	15.7	8.11	4.78	2.65	1.40
1.67 V	95.16	60.3	46.2	27.9	15.4	6.86	4.68	2.60	1.38
1.70 V	87.88	57.8	44.8	25.3	14.6	6.53	4.57	2.54	1.35
1.75 V	86.84	56.2	43.3	23.9	14.5	6.34	4.44	2.49	1.32
1.80 V	76.96	53.6	39.4	22.3	13.6	6.19	4.36	2.45	1.32
1.85 V	68.12	50.9	35.2	20.4	13.2	6.08	4.35	1.94	1.30

### Constant Power Discharge Ratings - watts at 25°C

F.V / Time	5 MIN	10 MIN	15 MIN	30 MIN	1 HR	3 HR	5 HR	10 HR	20 HR
1.60 V	208.0	135.2	104.0	60.3	33.8	13.2	8.94	5.04	2.65
1.67 V	201.2	132.1	102.4	59.3	33.4	13.1	8.89	5.04	2.65
1.70 V	192.9	130.0	99.84	58.2	33.1	13.0	8.88	4.99	2.60
1.75 V	181.5	124.8	96.72	56.7	32.5	12.9	8.85	4.99	2.60
1.80 V	157.6	115.4	92.56	55.1	31.5	12.6	8.74	4.88	2.55
1.85 V	148.7	107.1	88.40	52.5	30.8	12.4	8.66	4.88	2.55